



SIT-i60 Solar Kit



Designed for CCTV and IoT ready

100% solar power self-sustained, with built-in **60Ah Lithium batteries**, MPPT high-efficiency solar charger and high quality solar panels with 24 months hardware warranty.

This fully integrated solar kit provides an industrial grade solar platform for CCTV systems with innovative IoT features for remote controls and monitoring. It is also a flexible platform to deploy software-based NVR for longer recording requirement and cloud based CCTV system. The 100W solar panel and **60Ah Lithium battery** would guarantee superior performance in energy reliability and efficiency.

Key Features



Fully outdoor rated design to withstand weather conditions, including rain, wind, and extreme temperatures



Low power consumption and energy efficiency, maximum of 3W for none-CCTV components



Remote monitoring and alerts, easy remote access via mobile phones or computers.



Easy scalability, managing multiple cameras or sites under one single account



Flexible storage options, on-board video storage and cloud snapshots storage



Integration and Compatibility, can be easily integrated with alarms, access control and gate control systems.



SIT-i60 Product Models

Part numbers	Description
i60-B	i60 basic model, ideally for single camera deployment using camera built-in microSD card for storage. 100W panel, 60Ah Lithium battery, industrial 4G router (with 2 Eth ports). 6 days of estimated battery backup time.
i60-M	i60 moderate model, ideally for single camera deployment with onboard VMS (WisenetWAVE). 100W panel, 60Ah Lithium battery, industrial 4G router (with 2 Eth ports), ARM-computer and 1TB SSD storage. 5 days of estimated battery backup time.
i60-A	i60 advanced model, ideally for dual camera (or single PTZ) deployment with onboard VMS. 150W panel, 60Ah Lithium battery, industrial 4G router (with 2 Eth ports), industrial 5 port PoE switch ARM-computer and 1TB SSD storage. 4 days of estimated battery backup time.

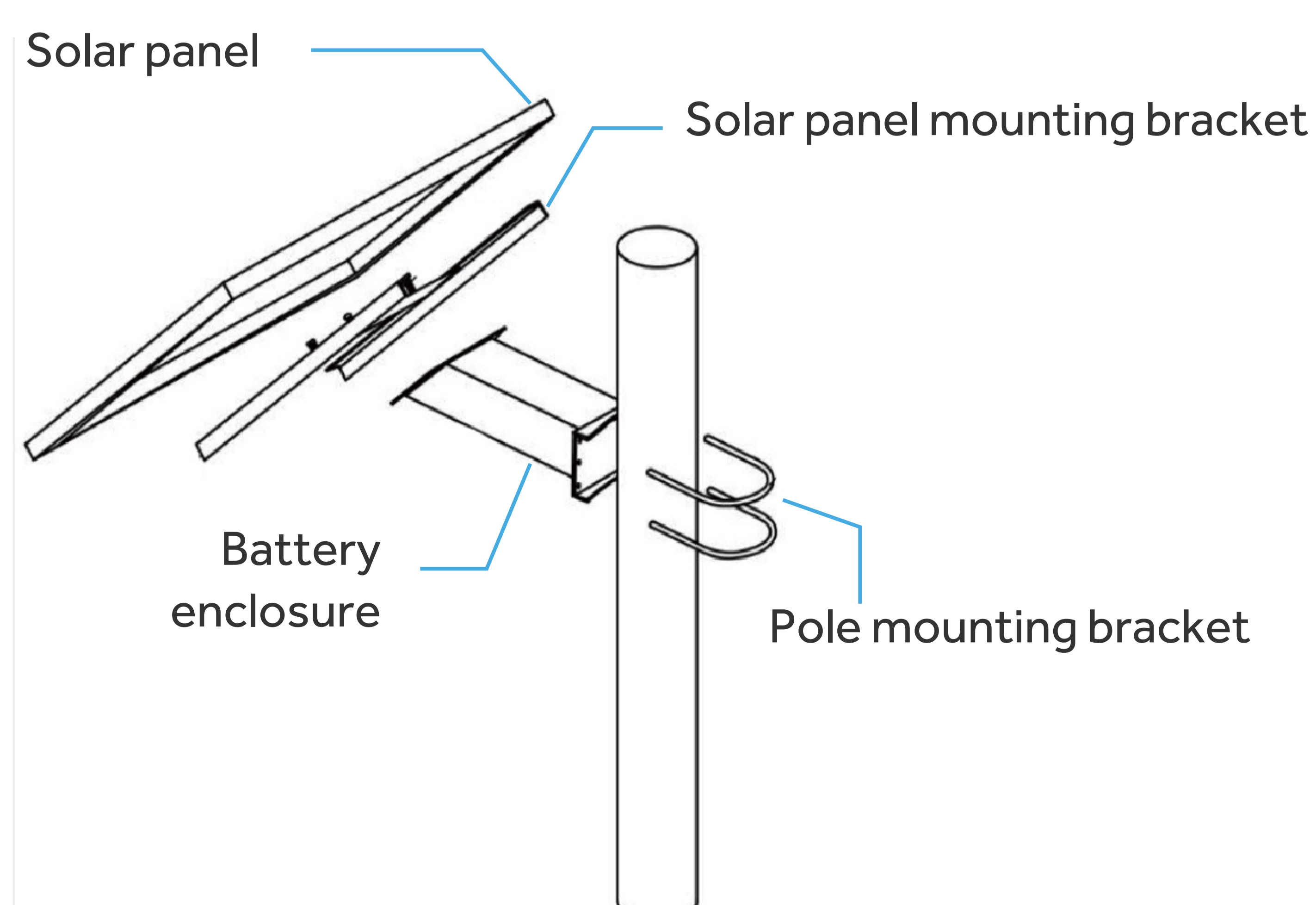
Key Product Specifications

Solar Panel	100W 12V, monocrystalline 150W option available
Max Voltage output	18.2 V
Max Voltage Open Circuit	21.4 V
Battery	Lithium-ion polymer batteries, 60Ah, 12V
Over-charge Protection Voltage	12.83V
Short-circuit protection	Yes
Max output current	6A
Over discharge protection	7.8V
Solar Controller	10A MPPT Solar controller
Optimal Output Load	13.5W

Edge Smart Features

Remote Communication	4G with full Compatibility on Telstra and Optus networks 5G option also available
Edge Recording	Software based: WisenetWAVE Micro SD card based: Camera's built-in storage
Solar Status Monitoring	ThingsBoard Monitoring platform
Alarm and Access Control (optional)	I/O ports, Wiegand interface
SMS notification (optional)	On suspicious events

Product Installation Guide



NSW

nsw@eos.com.au
+61 2 9749 5888

VIC

vic@eos.com.au
+61 3 954 5633

QLD

qld@eos.com.au
+61 7 3252 9272

WA

wa@eos.com.au
+61 8 9249 5911

www.eos.com.au

